

4

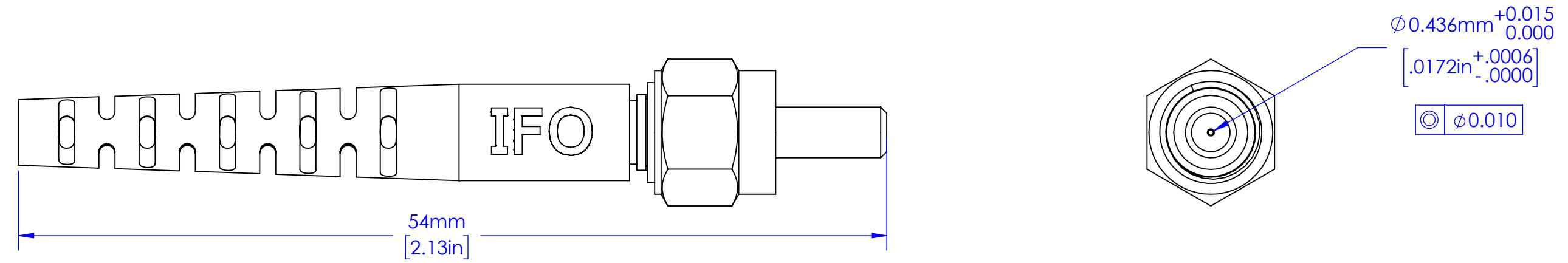
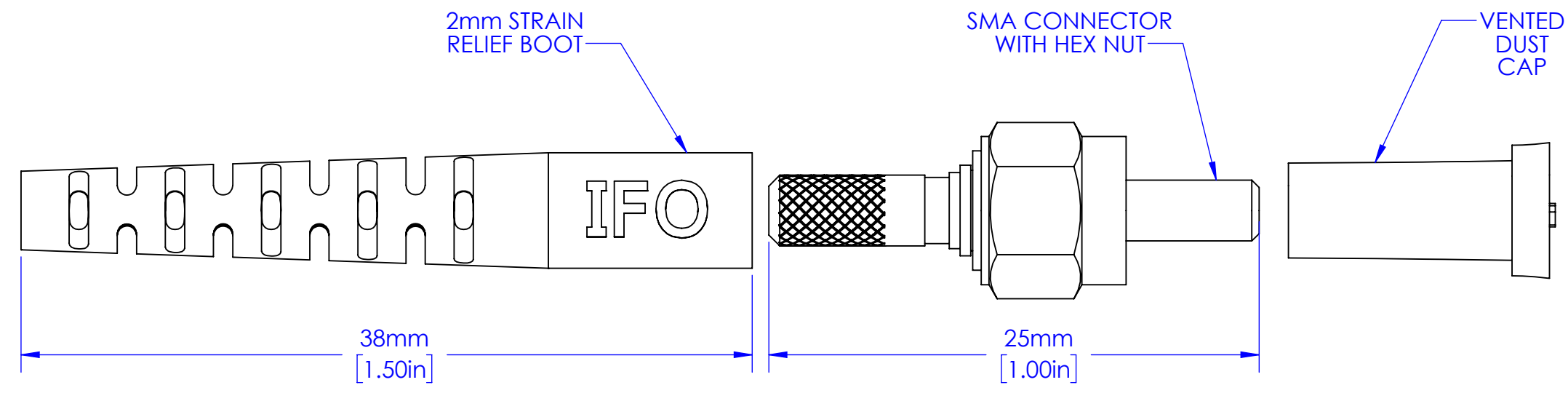
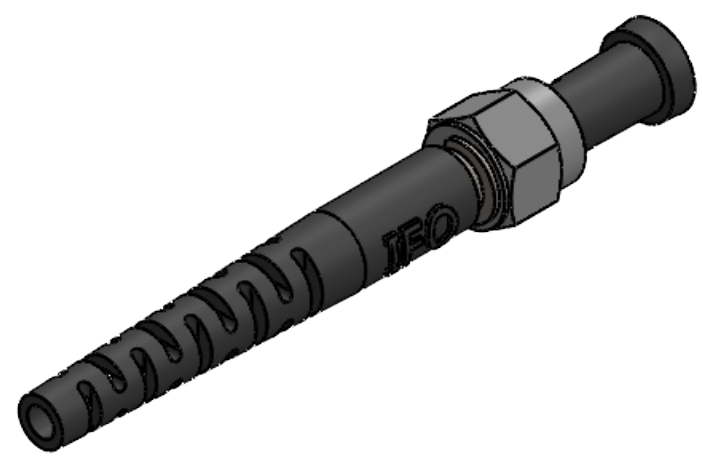
3

2

1

REVISIONS

REV.	DESCRIPTION	ECO	DATE	DWN	APVD
00	Prerelease		3/6/2024	SA	DH
A	Initial release		4/3/2024	SA	DH



- NOTES:**
- SUITABLE FOR 400/430 GLASS OPTICAL FIBER.
 - RoHS COMPLIANT.
 - 40C TO +85C OPERATING TEMPERATURE.
 - IEC 61754-22 COMPATIBLE.
 - STAINLESS STEEL FERRULE AND NUT.
 - MAXIMUM NUT TORQUE: 0.9N-m [8in-lbs].

SURFACE 3.2
TEXTURE:

PROPRIETARY AND CONFIDENTIAL
THE INFORMATION CONTAINED IN THIS DRAWING IS THE SOLE PROPERTY OF INDUSTRIAL FIBER OPTICS. ANY REPRODUCTION IN PART OR AS A WHOLE WITHOUT THE WRITTEN PERMISSION OF INDUSTRIAL FIBER OPTICS IS PROHIBITED.

DIMENSIONS		MILLIMETERS [IN]	UNLESS OTHERWISE SPECIFIED:		NAME	DATE	INDUSTRIAL FIBER OPTICS		
0 PLC:		±1.0	Customer:		DRAWN	S. Ahmed	3/6/24	TEMPE, AZ 85281	
1 PLC:		±0.3	INTERPRET GEOMETRIC TOLERANCING PER: ASME Y14.5-2009		CHECKED	D. Hanson	4/3/24	TITLE: 436µm Connector, 2mm Boot	
2 PLC:		±0.13			COMMENTS:		DIMENSIONS ARE FOR REFERENCE ONLY. NO TOLERANCES MAY BE IMPLIED FROM THIS DOCUMENT.		
3 PLC:		±0.025	MATERIAL		Not Applicable		SIZE	DWG. NO.	
4 PLC:		±0.0127	FINISH		Passivated		B	905-0436-0110	
ANGLE:		±1/2	APPLICATION		DO NOT SCALE DRAWING		REV	00	
							SCALE: 1:1	WEIGHT:	SHEET 1 OF 1

4

3

2

1