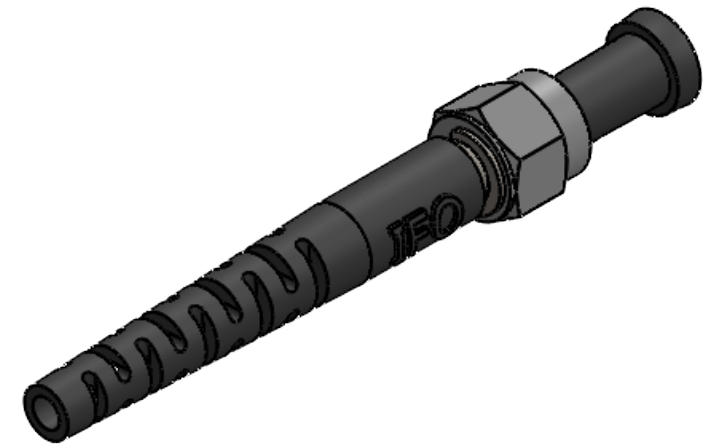


4

3

2

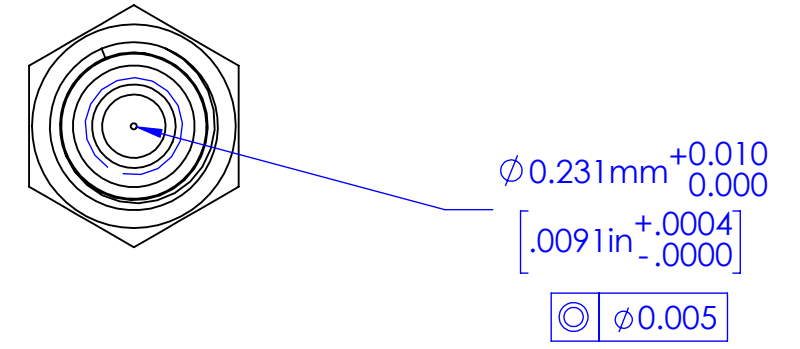
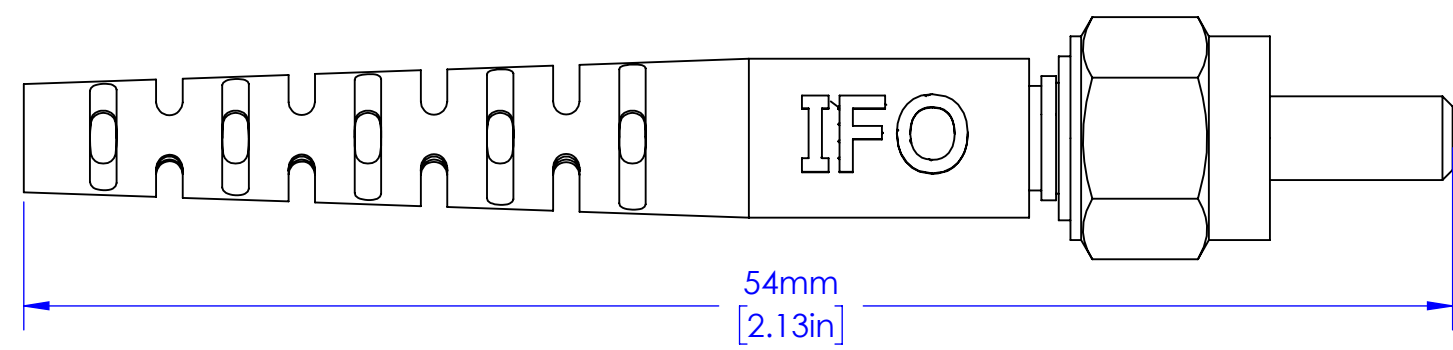
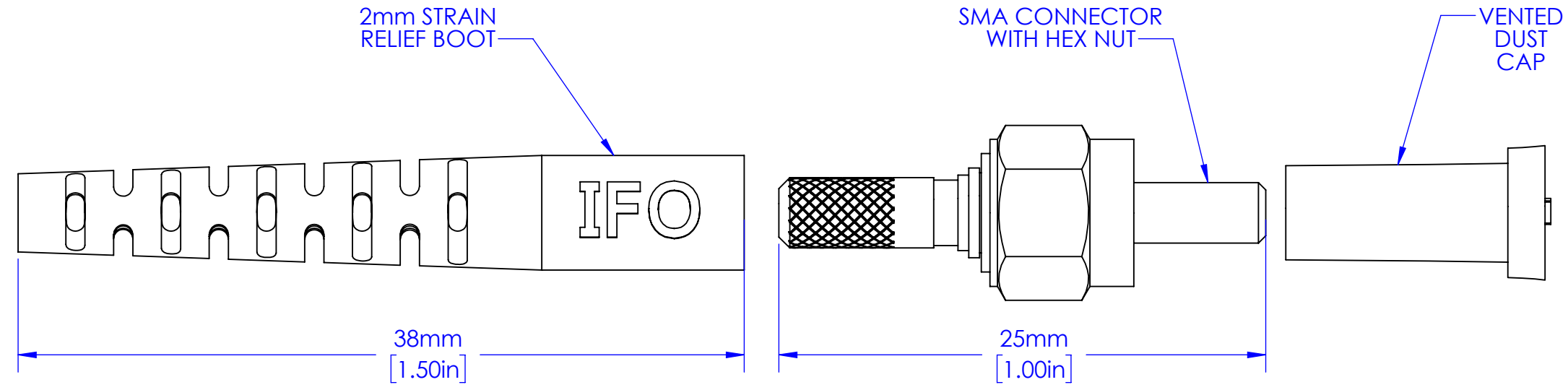
1



REVISIONS					
REV.	DESCRIPTION	ECO	DATE	DWN	APVD
00	Prerelease		3/6/2024	SA	DH
A	Initial release		4/3/2024	SA	DH

B

B



A

A

- NOTES:**
- SUITABLE FOR 200/230 GLASS OPTICAL FIBER.
  - RoHS COMPLIANT.
  - 40°C TO +85°C OPERATING TEMPERATURE.
  - IEC 61754-22 COMPATIBLE.
  - STAINLESS STEEL FERRULE AND NUT.
  - MAXIMUM NUT TORQUE: 0.9N-m [8in-lbs].

**SURFACE 3.2**  
TEXTURE:

**PROPRIETARY AND CONFIDENTIAL**  
THE INFORMATION CONTAINED IN THIS DRAWING IS THE SOLE PROPERTY OF INDUSTRIAL FIBER OPTICS. ANY REPRODUCTION IN PART OR AS A WHOLE WITHOUT THE WRITTEN PERMISSION OF INDUSTRIAL FIBER OPTICS IS PROHIBITED.

DIMENSIONS		MILLIMETERS [IN]	UNLESS OTHERWISE SPECIFIED:		NAME	DATE	INDUSTRIAL FIBER OPTICS	
0 PLC:		±1.0	Customer:		DRAWN	S. Ahmed	3/6/24	TITLE: <b>231µm Connector, 2mm Boot</b>
1 PLC:		±0.3	INTERPRET GEOMETRIC TOLERANCING PER: ASME Y14.5-2009		CHECKED	D. Hanson	4/3/24	
2 PLC:		±0.13	MATERIAL		COMMENTS:			SIZE DWG. NO. REV <b>B 905-0231-0110 00</b>
3 PLC:		±0.025	Not Applicable		DIMENSIONS ARE FOR REFERENCE ONLY. NO TOLERANCES MAY BE IMPLIED FROM THIS DOCUMENT.			
4 PLC:		±0.0127	FINISH		SCALE: 2:1 WEIGHT:			SHEET 1 OF 1
ANGLE:		±1/2	Passivated		DO NOT SCALE DRAWING			

4

3

2

1