

4

3

2

1

REVISIONS					
REV.	DESCRIPTION	ECO	DATE	DWN	APVD
00	Prerelease		11/14/2023	SA	BB
A	Initial release		11/15/2023	SA	BB

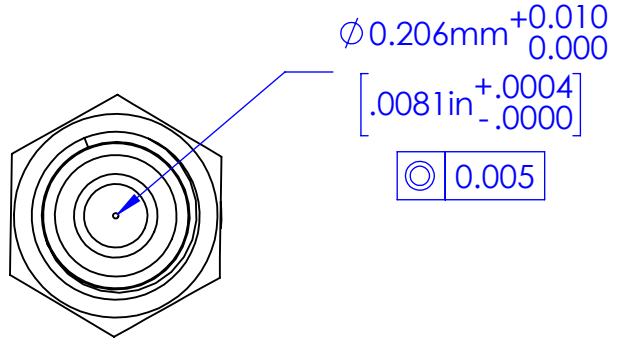
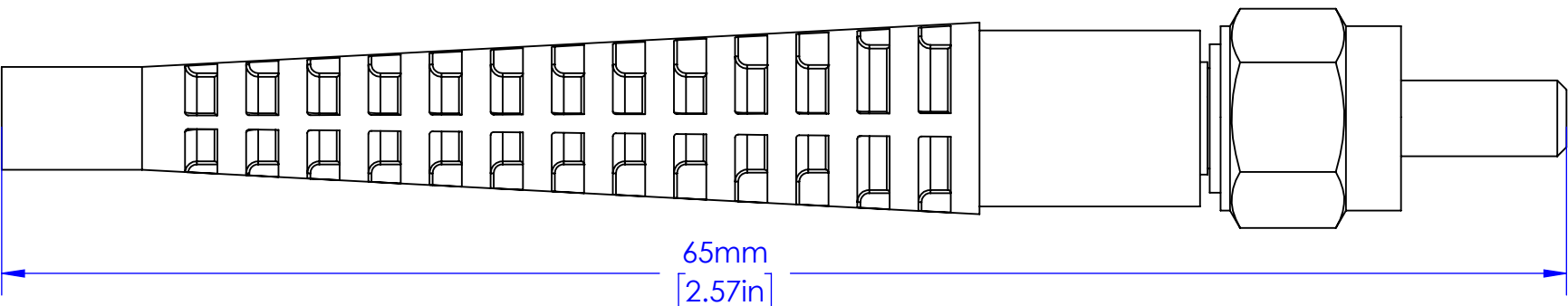
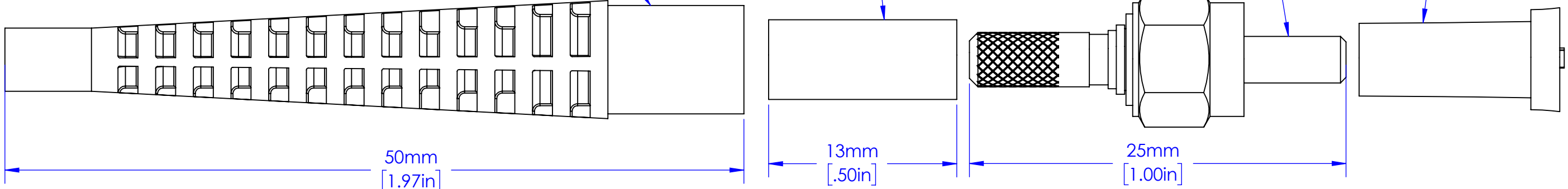


3mm STRAIN RELIEF BOOT

CRIMP RING

SMA CONNECTOR WITH HEX NUT

VENTED DUST CAP



- NOTES:**
- SUITABLE FOR 175/190 GLASS OPTICAL FIBER.
 - RoHS COMPLIANT.
 - 40°C TO +85°C OPERATING TEMPERATURE.
 - IEC 61754-22 COMPATIBLE.
 - STAINLESS STEEL FERRULE AND NUT; NICKEL PLATED COPPER CRIMP RING.
 - MAXIMUM NUT TORQUE: 0.9N-m [8in-lbs].

PROPRIETARY AND CONFIDENTIAL
 THE INFORMATION CONTAINED IN THIS DRAWING IS THE SOLE PROPERTY OF INDUSTRIAL FIBER OPTICS. ANY REPRODUCTION IN PART OR AS A WHOLE WITHOUT THE WRITTEN PERMISSION OF INDUSTRIAL FIBER OPTICS IS PROHIBITED.

DIMENSIONS	MILLIMETERS [IN]	UNLESS OTHERWISE SPECIFIED:	NAME	DATE	INDUSTRIAL FIBER OPTICS TEMPE, AZ 85281	
0 PLC:	±1.0	Customer:	DRAWN	S. Ahmed 11/14/23	TITLE: 206µm Knurled Connector; 3mm Boot	
1 PLC:	±0.3		CHECKED	B. Bidwell 11/15/23		
2 PLC:	±0.13	INTERPRET GEOMETRIC TOLERANCING PER:ASME Y14.5-2009	COMMENTS: DIMENSIONS ARE FOR REFERENCE ONLY. NO TOLERANCES MAY BE IMPLIED FROM THIS DOCUMENT.		SIZE	DWG. NO.
3 PLC:	±0.025				B	905-0206-0100
4 PLC:	±0.0127	MATERIAL			REV	A
ANGLE:	±1/2	FINISH			SCALE: 1:1	WEIGHT:
APPLICATION		DO NOT SCALE DRAWING			SHEET 1 OF 1	

4

3

2

1