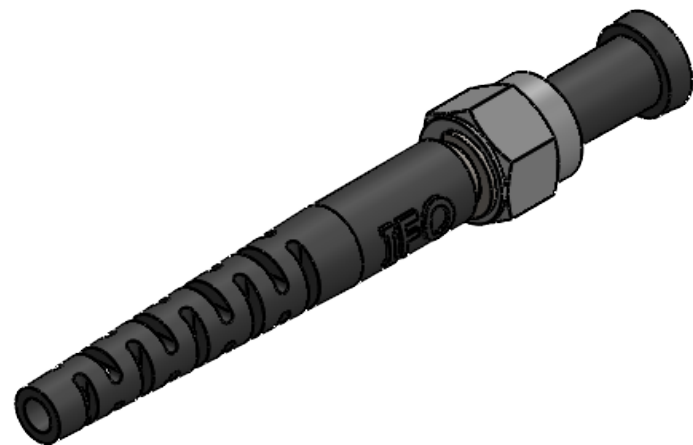


4

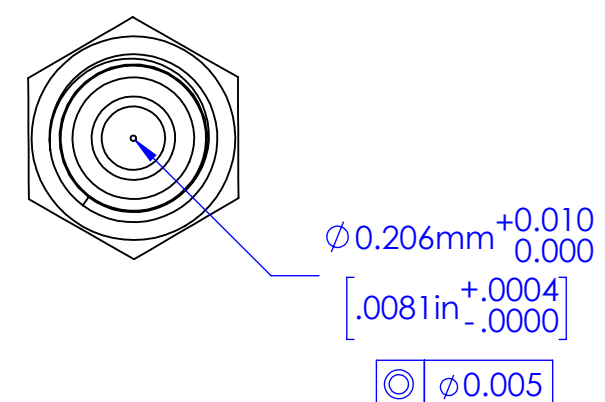
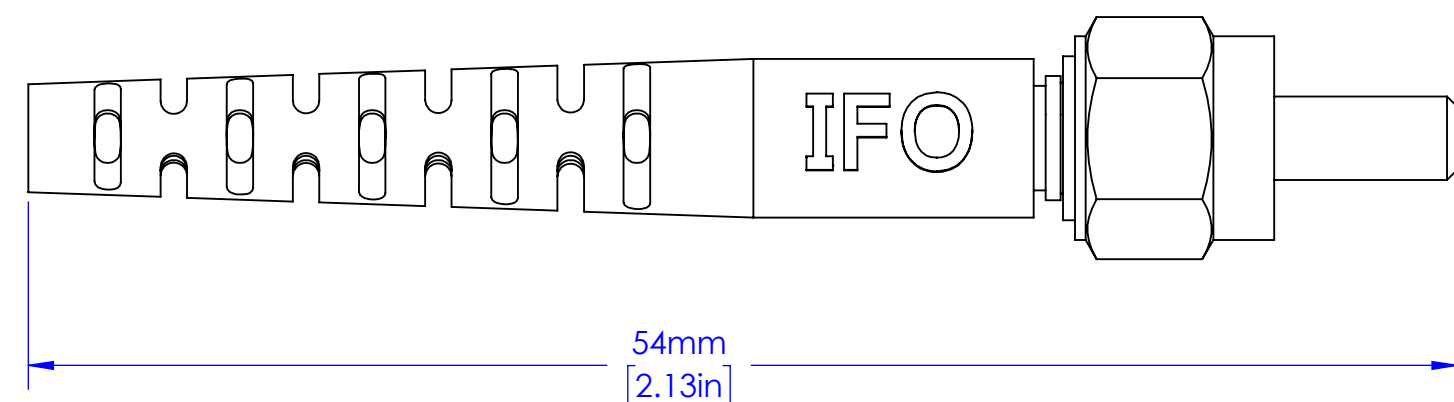
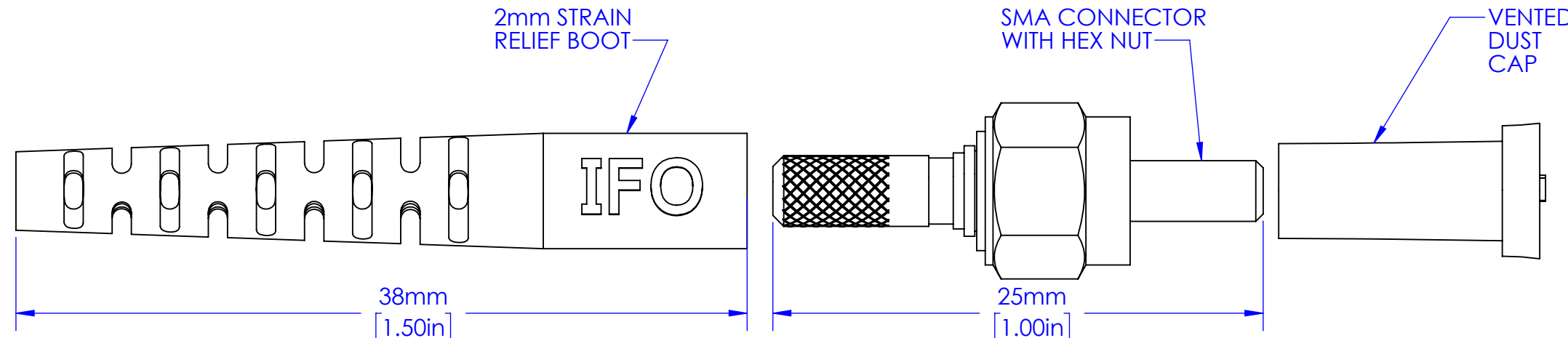
3

2

1



REVISIONS					
REV.	DESCRIPTION	ECO	DATE	DWN	APVD
00	Prerelease		3/6/2024	SA	DH
A	Initial release		4/3/2024	SA	DH



- NOTES:**
- SUITABLE FOR 175/190 GLASS OPTICAL FIBER.
 - RoHS COMPLIANT.
 - 40°C TO +85°C OPERATING TEMPERATURE.
 - IEC 61754-22 COMPATIBLE.
 - STAINLESS STEEL FERRULE AND NUT.
 - MAXIMUM NUT TORQUE: 0.9N-m [8in-lbs].

SURFACE 3.2
TEXTURE:

PROPRIETARY AND CONFIDENTIAL
THE INFORMATION CONTAINED IN THIS DRAWING IS THE SOLE PROPERTY OF INDUSTRIAL FIBER OPTICS. ANY REPRODUCTION IN PART OR AS A WHOLE WITHOUT THE WRITTEN PERMISSION OF INDUSTRIAL FIBER OPTICS IS PROHIBITED.

DIMENSIONS	MILLIMETERS [IN]	UNLESS OTHERWISE SPECIFIED:
0 PLC:	±1.0	Customer:
1 PLC:	±0.3	INTERPRET GEOMETRIC TOLERANCING PER: ASME Y14.5-2009
2 PLC:	±0.13	MATERIAL: Not Applicable
3 PLC:	±0.025	FINISH: Passivated
4 PLC:	±0.0127	
ANGLE:	±1/2	
APPLICATION		DO NOT SCALE DRAWING

	NAME	DATE
DRAWN	S. Ahmed	3/6/24
CHECKED	D. Hanson	4/3/24
COMMENTS:		
DIMENSIONS ARE FOR REFERENCE ONLY. NO TOLERANCES MAY BE IMPLIED FROM THIS DOCUMENT.		

INDUSTRIAL FIBER OPTICS		
TEMPE, AZ 85281		
TITLE:		
206µm Connector, 2mm Boot		
SIZE	DWG. NO.	REV
B	905-0206-0110	00
SCALE: 1:1		WEIGHT:
		SHEET 1 OF 1

4

3

2

1