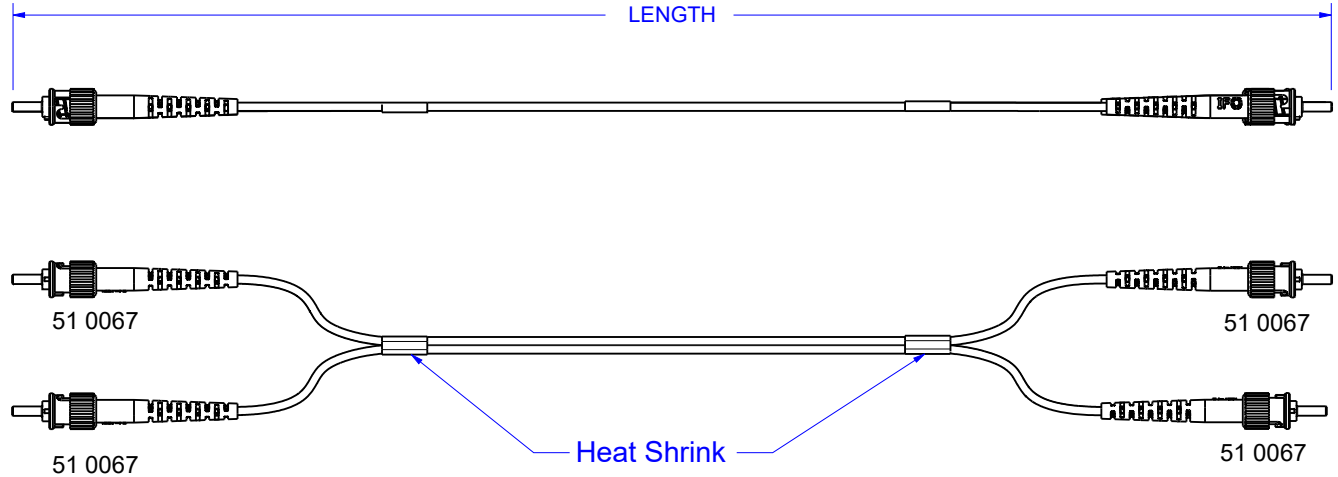


© COPYRIGHT 2022 BY INDUSTRIAL FIBER OPTICS, INC.  
ALL RIGHTS RESERVED.

REVISIONS

REV	DESCRIPTION	ECO	DATE	DWN	APVD
A	Initial Release	00354	9/23/2019	DDH	BB
B	Added note regarding material substitution	00417	8/15/2022	BB	DDH

LENGTH	TOLERANCE
0.1m	+0.03;-0.0m
0.2-0.99m	± 0.03m
1-5.49m	± 0.05m
5.5-12.99m	± 0.1m
13-29.99m	± 0.15m
30-50m	± 0.3m
50.1 - 80	± 0.5m



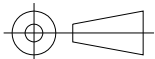
**Variations to Standard Assembly**

SERIES	FIBER*	CONNECTOR	BOOT
IF 122M	TCV-1000W GHV4002	51 0122 - Non-Magnetic ST	Standard

\*The fiber cable used for the assembly will be based upon the category of cable used for the SERIES. Asahi Kasei and Mitsubishi Eska optical fiber cable are shown, however other manufacturers' cable may be used based on availability.

SERIES	FIBER*
IF 122D	DC-1000W SH4002
IF 122L	TC-1000W GH4002
IF 122N	TCF-1000W GHCP4002
IF 122Q	GHTT4002
IF 122W	GHXL4002-OR

UNLESS OTHERWISE SPECIFIED DIMENSIONS MILLIMETERS [IN.]	PRODUCT	Industrial Fiber Optics TEMPE, AZ 85281			
	MATERIAL				
DIMENSIONS ARE FOR REFERENCE ONLY NO TOLERANCES MAY BE IMPLIED FROM THIS DOCUMENT	FINISH	NONE	NAME		
	DRAWN BY	David Hanson	<b>ST POF Duplex Assembly</b>		
	DATE	9/20/2019			
	CHECKED BY	B. Bidwell	SIZE	SCALE	DOCUMENT NUMBER
	DATE	9/27/2019	A	1:1	IF 122x
			DO NOT SCALE DRAWING	REV	B
			1 OF 1		



**METRIC**