

4

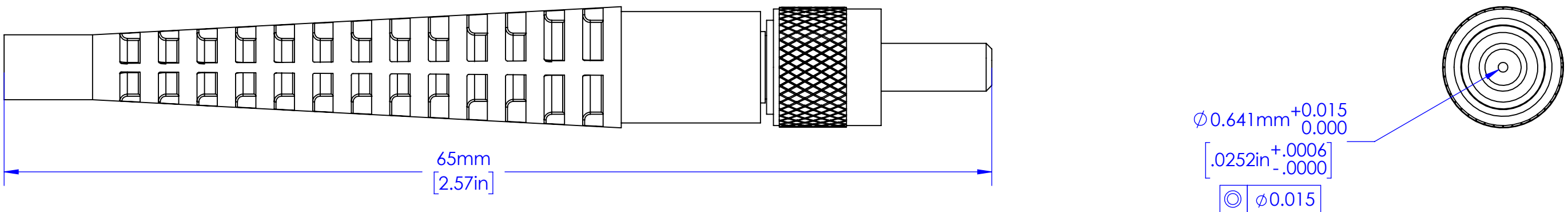
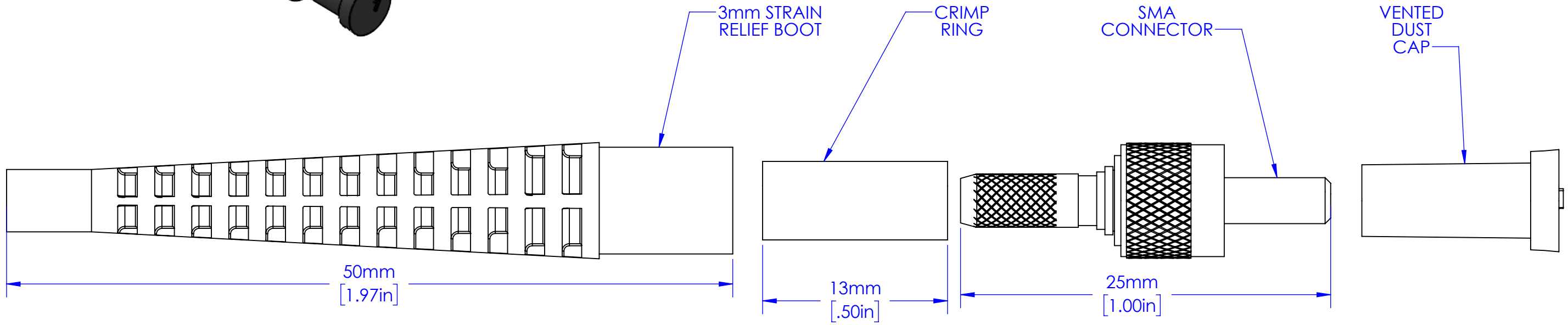
3

2

1



| REVISIONS |                 |     |           |     |      |
|-----------|-----------------|-----|-----------|-----|------|
| REV.      | DESCRIPTION     | ECO | DATE      | DWN | APVD |
| 00        | Prerelease      |     | 3/25/2024 | SA  | AR   |
| A         | Initial release |     | 4/11/2024 | SA  | AR   |



- NOTES:
- SUITABLE FOR 600/630 GLASS OPTICAL FIBER.
  - RoHS COMPLIANT.
  - 40°C TO +85°C OPERATING TEMPERATURE.
  - TIA 604.1 (FOCIS1) COMPATIBLE.
  - STAINLESS STEEL FERRULE & NUT; NICKEL PLATED COPPER CRIMP RING.
  - MAXIMUM NUT TORQUE: 0.9N-m [8in-lbs].

**SURFACE 3.2**  
TEXTURE:  $\sqrt{\quad}$

**PROPRIETARY AND CONFIDENTIAL**  
THE INFORMATION CONTAINED IN THIS DRAWING IS THE SOLE PROPERTY OF INDUSTRIAL FIBER OPTICS. ANY REPRODUCTION IN PART OR AS A WHOLE WITHOUT THE WRITTEN PERMISSION OF INDUSTRIAL FIBER OPTICS IS PROHIBITED.

| DIMENSIONS  | MILLIMETERS [IN] | UNLESS OTHERWISE SPECIFIED:                          |
|-------------|------------------|--|
| 0 PLC:      | ±1.0             | Customer:  |
| 1 PLC:      | ±0.3             | INTERPRET GEOMETRIC TOLERANCING PER: ASME Y14.5-2009 |
| 2 PLC:      | ±0.13            | MATERIAL: Not Applicable                             |
| 3 PLC:      | ±0.025           | FINISH: Passivated                                   |
| 4 PLC:      | ±0.0127          |  |
| ANGLE:      | ±1/2             |  |
| APPLICATION |                  | DO NOT SCALE DRAWING                                 |

|         | NAME     | DATE    |
|---------|----------|---------|
| DRAWN   | S. Ahmed | 3/25/24 |
| CHECKED | A. Reyes | 4/11/24 |

COMMENTS:  
DIMENSIONS ARE FOR REFERENCE ONLY.  
NO TOLERANCES MAY BE IMPLIED FROM THIS DOCUMENT.

|   |                               |                |
|---|-------------------------------|----------------|
| <b>INDUSTRIAL FIBER OPTICS</b><br>TEMPE, AZ 85281 |                               |                |
| TITLE: <b>641µm Knurled Connector; 3mm Boot</b>   |                               |                |
| SIZE: <b>B</b>                                    | DWG. NO.: <b>SA2024032501</b> | REV: <b>00</b> |
| SCALE: 1:1  | WEIGHT:                       | SHEET 1 OF 1   |

4

3

2

1