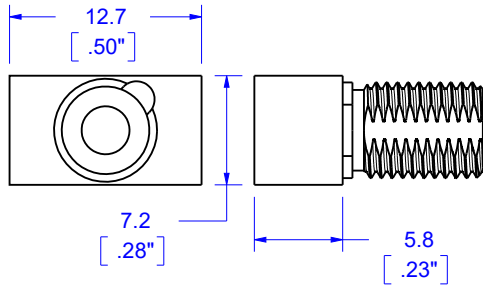


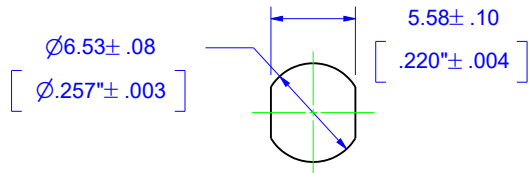
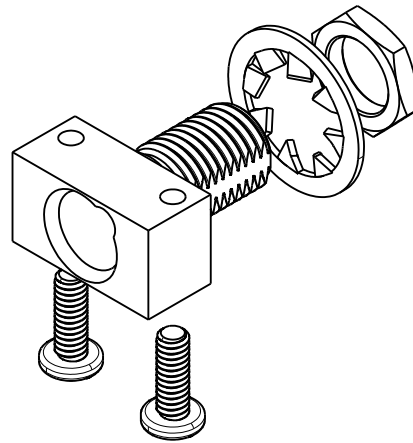
© COPYRIGHT 2021 BY INDUSTRIAL FIBER OPTICS, INC.
ALL RIGHTS RESERVED.



KIT INCLUDES:
ACTIVE DEVICE MOUNT, 2x 2-56 MOUNTING
SCREWS, JAM NUT AND LOCK WASHER.
ALL HARDWARE IS STAINLESS STEEL
UNLESS DEFINED OTHERWISE.

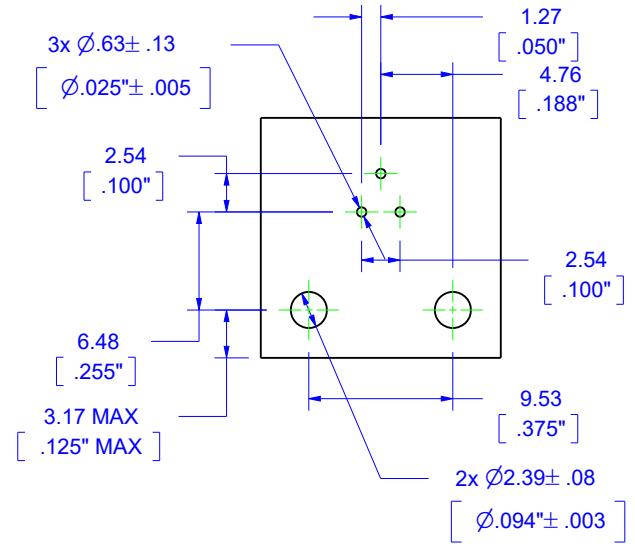
NOTES:

1. COMPATIBLE WITH TIA/IEC SMA SPECIFICATION
2. EU RoHS 3 COMPLIANT
3. ACCEPTS HONEYWELL SWEET SPOT OPTOELECTRONIC DEVICES
4. ACCEPTS TO-18, TO-46, TO-52 AND TO-72 OPTOELECTRONIC DEVICES WITH ADAPTER SLEEVE 82 0057 (SOLD SEPARATELY)



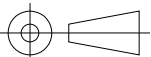
RECOMMENDED HOLE FOR PANEL MOUNT

REVISIONS					
REV	DESCRIPTION	ECO	DATE	DWN	APVD
00	Prerelease		6/24/2019	BB	
A	Initial release		3/16/2021	BB	DH



RECOMMENDED PCB LAYOUT
MAX PANEL THICKNESS 1.57 [.062"]

UNLESS OTHERWISE SPECIFIED DIMENSIONS MILLIMETERS [IN.]	PRODUCT	Industrial Fiber Optics TEMPE, AZ 85281			
	MATERIAL				
DIMENSIONS ARE FOR REFERENCE ONLY NO TOLERANCES MAY BE IMPLIED FROM THIS DOCUMENT	FINISH	Passivated	NAME		
	DRAWN BY	B. Bidwell	SMA Device Mount		
	DATE	6/24/2019			
	CHECKED BY	D. Hanson	SIZE	SCALE	DOCUMENT NUMBER
	DATE	3/16/2021	A	2:1	51 0543
		DO NOT SCALE DRAWING		REV	A
					1 OF 1



METRIC