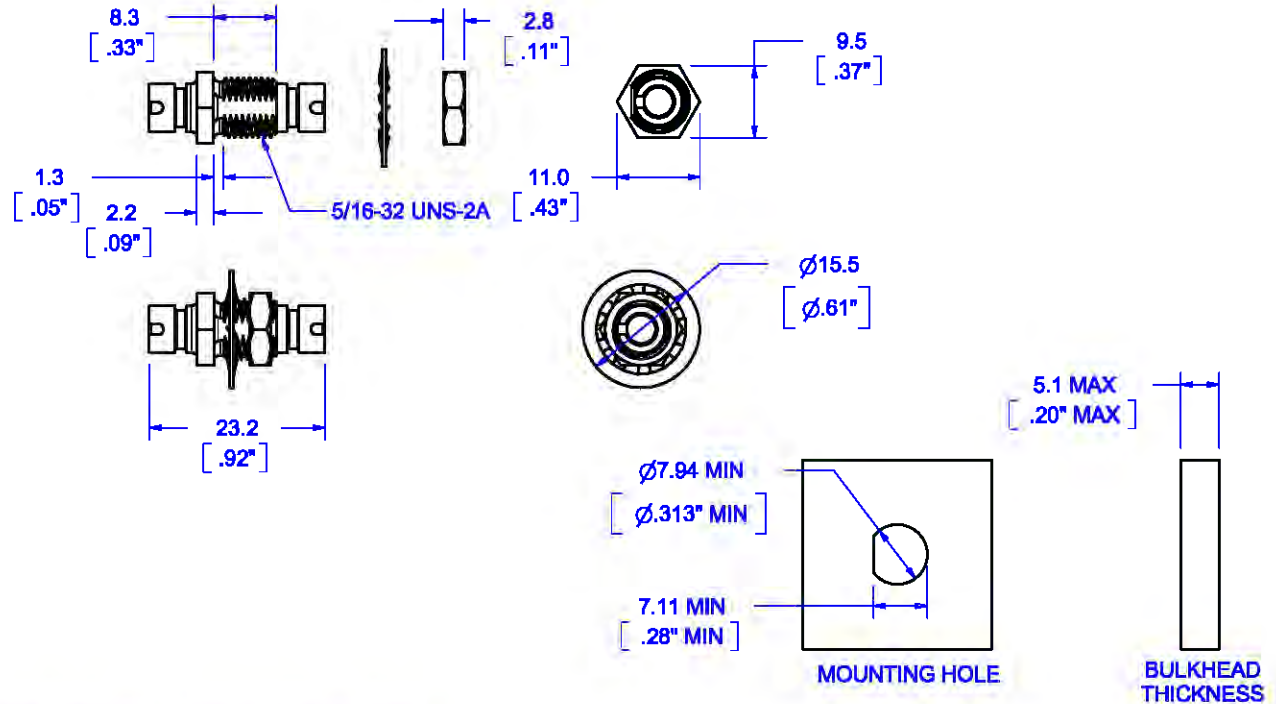
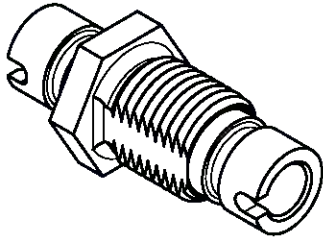


© COPYRIGHT 2012 BY INDUSTRIAL FIBER OPTICS, INC.
ALL RIGHTS RESERVED.

REVISIONS

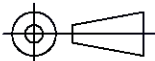
REV	DESCRIPTION	ECO	DATE	DWN	APVD
A	Initial release		10/1/2012	BB	AR



- NOTES:
1. RoHS compliant.
 2. -40°C to 85°C operating temperature.
 3. Electropolished stainless steel body and nut for maximum corrosion resistance.
 4. Suitable for use with simplex latching VersaLink connectors.

INCLUDES 3/8" HEX NUT AND LOCK WASHER

UNLESS OTHERWISE SPECIFIED DIMENSIONS MILLIMETERS [IN.]	PRODUCT	Industrial Fiber Optics TEMPE, AZ 85281				
	MATERIAL					Stainless Steel
	FINISH	Electropolished		NAME		
	DRAWN BY	B. Bidwell		Versatile Link Mating Sleeve		
	DATE	10/1/2012		SIZE	SCALE	PART NUMBER
CHECKED BY	A. Reyes		A	1:1	51 0137	A
DATE	10/2/2012		DO NOT SCALE DRAWING		Sheet 1 of 1	



METRIC