

4

3

2

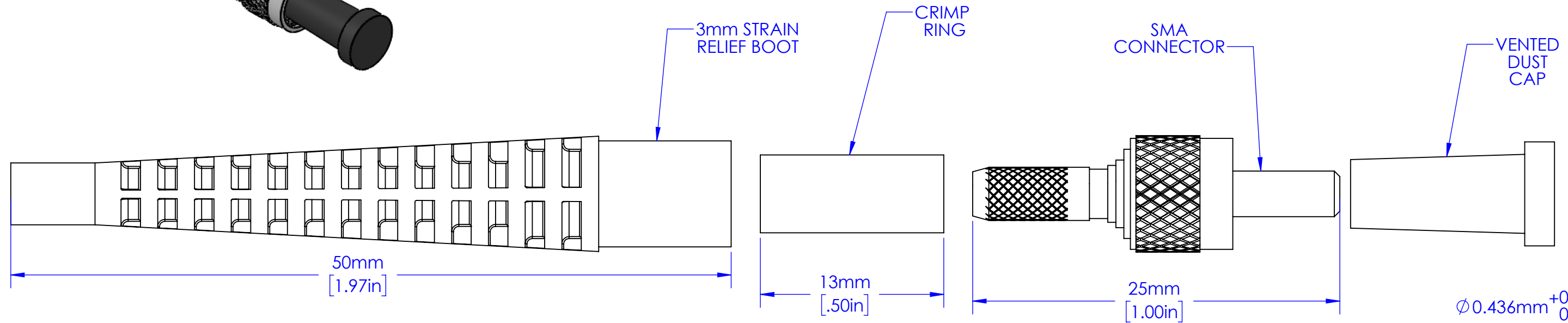
1



REVISIONS					
REV.	DESCRIPTION	ECO	DATE	DWN	APVD
00	Prerelease		9/20/2023	SA	BB
A	Initial release		10/03/2023	SA	BB

B

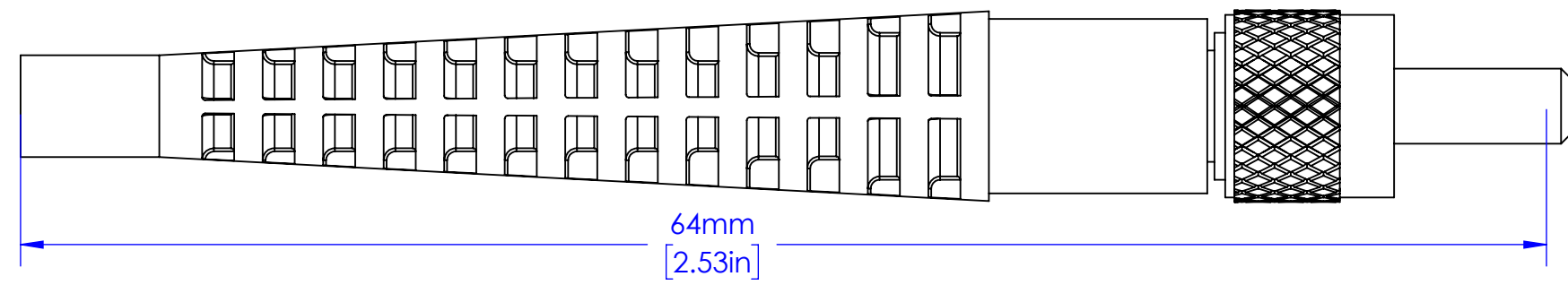
B



$\phi 0.436\text{mm}^{+0.015}_{0.000}$
 $[\text{.0172in}^{+.0006}_{-.0000}]$
 $\text{◎ } \phi 0.010$

A

A



- NOTES:**
- SUITABLE FOR 400/430 GLASS OPTICAL FIBER.
 - RoHS COMPLIANT.
 - 40°C TO +85°C OPERATING TEMPERATURE.
 - IEC 61754-22 COMPATIBLE.
 - STAINLESS STEEL FERRULE & NUT; NICKEL PLATED COPPER CRIMP RING.
 - MAXIMUM NUT TORQUE: 0.9N-m [8in-lbs].

PROPRIETARY AND CONFIDENTIAL
 THE INFORMATION CONTAINED IN THIS DRAWING IS THE SOLE PROPERTY OF INDUSTRIAL FIBER OPTICS. ANY REPRODUCTION IN PART OR AS A WHOLE WITHOUT THE WRITTEN PERMISSION OF INDUSTRIAL FIBER OPTICS IS PROHIBITED.

DIMENSIONS	MILLIMETERS [IN]	UNLESS OTHERWISE SPECIFIED:	NAME	DATE	INDUSTRIAL FIBER OPTICS TEMPE, AZ 85281		
0 PLC:	±1.0	Customer:	DRAWN	S. Ahmed 9/20/23	TITLE: 436µm Knurled Connector; 3mm Boot SIZE DWG. NO. REV B 905-0436-0000 A		
1 PLC:	±0.3	INTERPRET GEOMETRIC TOLERANCING PER: ASME Y14.5-2009	CHECKED	B. Bidwell 9/22/23			
2 PLC:	±0.13		COMMENTS:				
3 PLC:	±0.025	MATERIAL	DIMENSIONS ARE FOR REFERENCE ONLY. NO TOLERANCES MAY BE IMPLIED FROM THIS DOCUMENT.				
4 PLC:	±0.0127	Not Applicable			SCALE: 1:1	WEIGHT:	SHEET 1 OF 1
ANGLE:	±1/2	FINISH	Passivated				
APPLICATION		DO NOT SCALE DRAWING					

4

3

2

1