

4

3

2

1

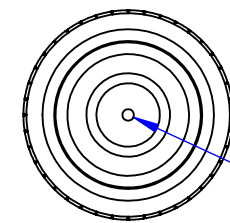
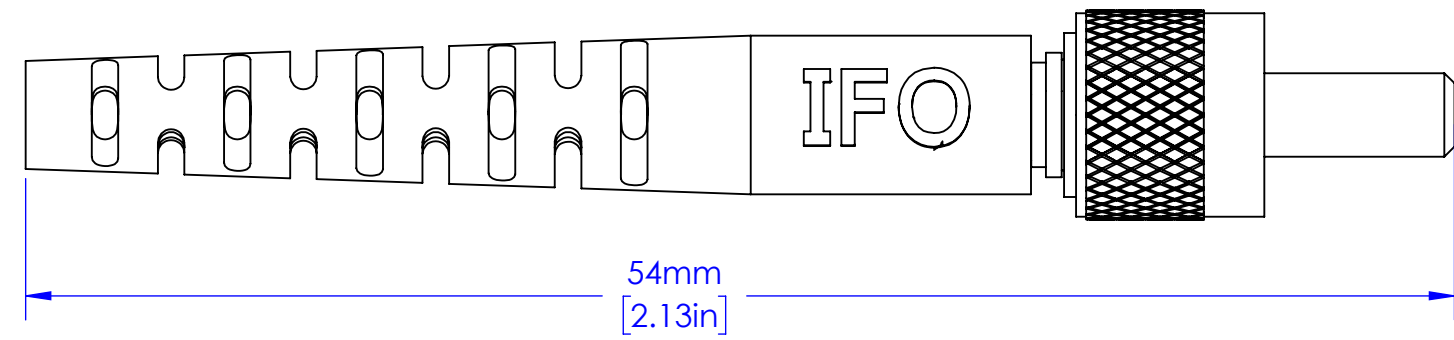
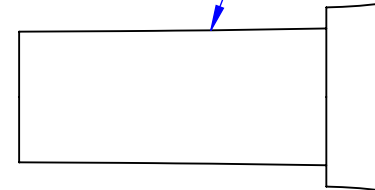
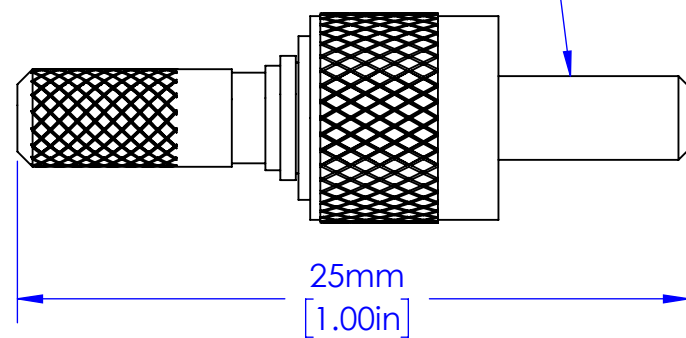
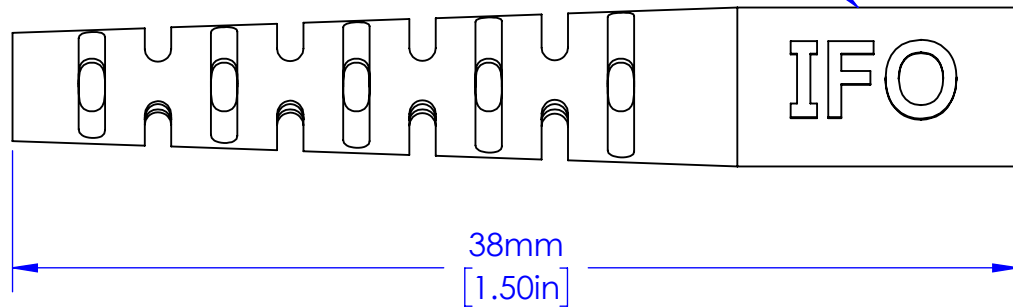


REVISIONS					
REV.	DESCRIPTION	ECO	DATE	DWN	APVD
00	Prerelease		9/22/2023	SA	BB
A	Initial release		10/2/2023	SA	BB

2mm STRAIN RELIEF BOOT

SMA CONNECTOR

VENTED DUST CAP



$\varnothing 0.436\text{mm}^{+0.010}_{0.000}$
 $[\text{.0172in}^{+.0004}_{-.0000}]$
 $\text{◎ } \varnothing 0.010$

- NOTES:
- SUITABLE FOR 400/430 GLASS OPTICAL FIBER.
 - RoHS COMPLIANT.
 - 40°C TO +85°C OPERATING TEMPERATURE.
 - IEC 61754-22 COMPATIBLE.
 - STAINLESS STEEL FERRULE AND NUT.
 - MAXIMUM NUT TORQUE: 0.9N-m [8 in-lbs].

PROPRIETARY AND CONFIDENTIAL
 THE INFORMATION CONTAINED IN THIS DRAWING IS THE SOLE PROPERTY OF INDUSTRIAL FIBER OPTICS. ANY REPRODUCTION IN PART OR AS A WHOLE WITHOUT THE WRITTEN PERMISSION OF INDUSTRIAL FIBER OPTICS IS PROHIBITED.

DIMENSIONS	MILLIMETERS [IN]	UNLESS OTHERWISE SPECIFIED:
0 PLC:	±1.0	Customer:
1 PLC:	±0.3	
2 PLC:	±0.13	
3 PLC:	±0.025	INTERPRET GEOMETRIC TOLERANCING PER:ASME Y14.5-2009
4 PLC:	±0.0127	MATERIAL Not Applicable
ANGLE:	±1/2	FINISH Passivated
APPLICATION		DO NOT SCALE DRAWING

NAME	DATE
DRAWN S. Ahmed	10/2/23
CHECKED B. Bidwell	10/2/23
COMMENTS:	
DIMENSIONS ARE FOR REFERENCE ONLY. NO TOLERANCES MAY BE IMPLIED FROM THIS DOCUMENT.	

INDUSTRIAL FIBER OPTICS		
TEMPE, AZ 85281		
TITLE:		
436µm Knurled Connector; 2mm Boot		
SIZE	DWG. NO.	REV
B	905-0436-0010	A
SCALE: 2:1	WEIGHT:	SHEET 1 OF 1

4

3

2

1