

4

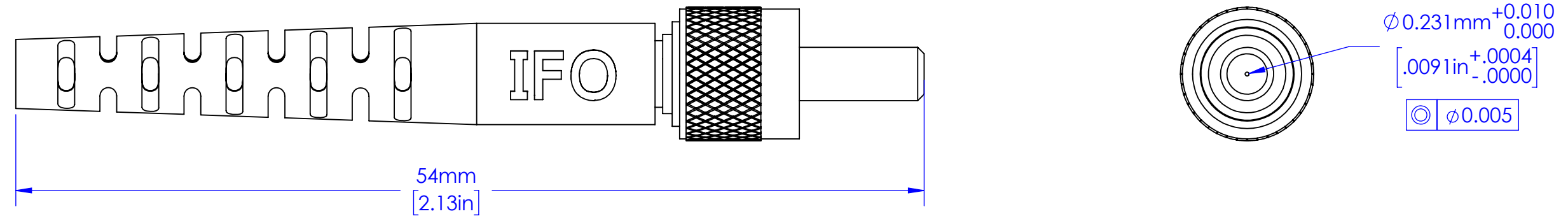
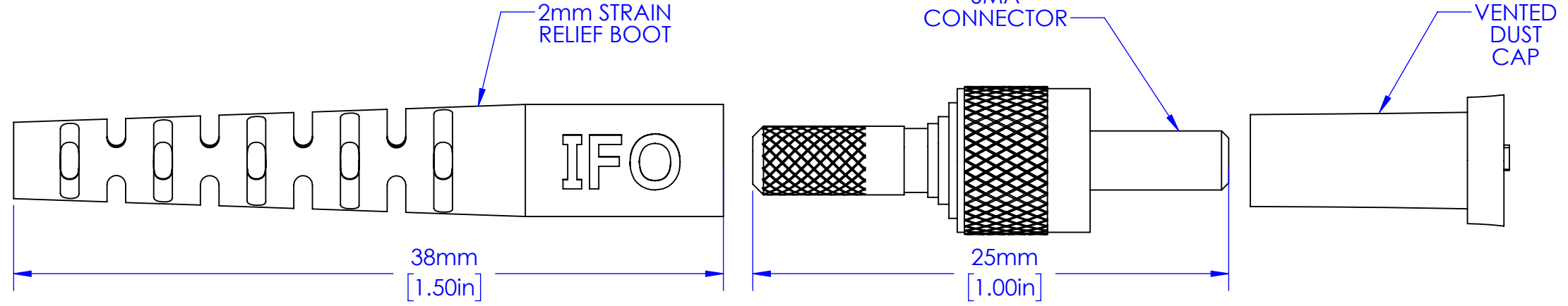
3

2

1



REVISIONS					
REV.	DESCRIPTION	ECO	DATE	DWN	APVD
00	Prerelease		9/25/2023	SA	BB
A	Initial release		9/29/2023	SA	BB



- NOTES:**
- SUITABLE FOR 200/230 GLASS OPTICAL FIBER.
 - RoHS COMPLIANT.
 - 40°C TO +85°C OPERATING TEMPERATURE.
 - IEC 61754-22 COMPATIBLE.
 - STAINLESS STEEL FERRULE AND NUT.
 - MAXIMUM NUT TORQUE: 0.9N-m [8in-lbs].

PROPRIETARY AND CONFIDENTIAL
THE INFORMATION CONTAINED IN THIS DRAWING IS THE SOLE PROPERTY OF INDUSTRIAL FIBER OPTICS. ANY REPRODUCTION IN PART OR AS A WHOLE WITHOUT THE WRITTEN PERMISSION OF INDUSTRIAL FIBER OPTICS IS PROHIBITED.

DIMENSIONS	MILLIMETERS [IN]	UNLESS OTHERWISE SPECIFIED:
0 PLC:	±1.0	Customer:
1 PLC:	±0.3	
2 PLC:	±0.13	
3 PLC:	±0.025	INTERPRET GEOMETRIC TOLERANCING PER:ASME Y14.5-2009
4 PLC:	±0.0127	MATERIAL Not Applicable
ANGLE:	±1/2	FINISH Passivated
APPLICATION		DO NOT SCALE DRAWING

	NAME	DATE
DRAWN	S. Ahmed	9/25/23
CHECKED	B. Bidwell	9/29/23
COMMENTS:		
DIMENSIONS ARE FOR REFERENCE ONLY. NO TOLERANCES MAY BE IMPLIED FROM THIS DOCUMENT.		

INDUSTRIAL FIBER OPTICS
TEMPE, AZ 85281

TITLE:
231µm Knurled Connector; 2mm Boot

SIZE B	DWG. NO. 905-0231-0010	REV A
SCALE: 1:1		WEIGHT:
		SHEET 1 OF 1

4

3

2

1